

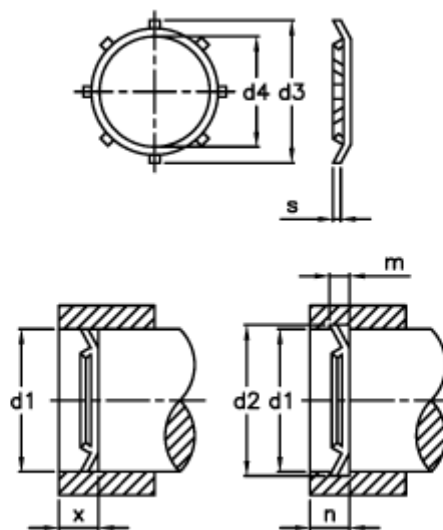
Data Sheet



Article number: 0115049

Description: Circular self locking ring ZJ 32

Measures



d1	= 32.0	s	= 0.50
d2	= 32.20	Side power N at I2	= 2.0
d3	= 32.40	tol	= 0,13
d4	= 22.5	Weight kg/1000	= 1.210
Description	= ZJ 32	x	= 4.0
Holding force N	= 900		
m min	= 1.0		
Number of serrations	= 12		